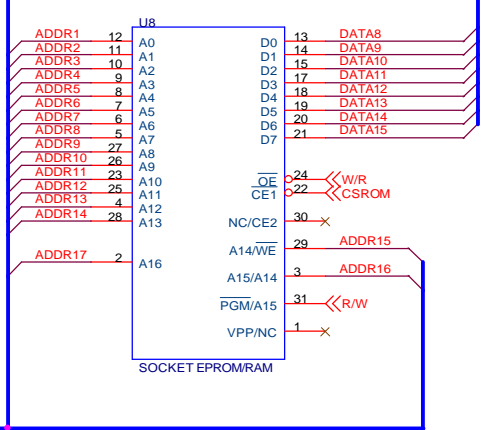
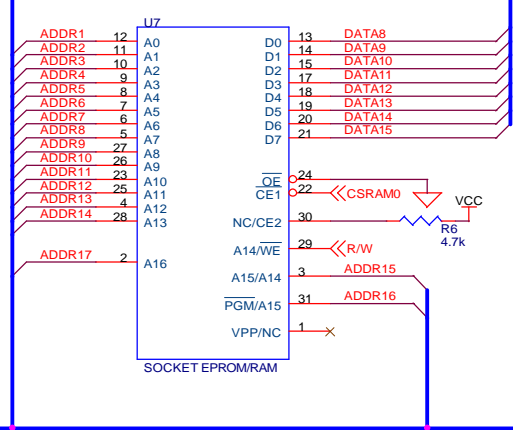
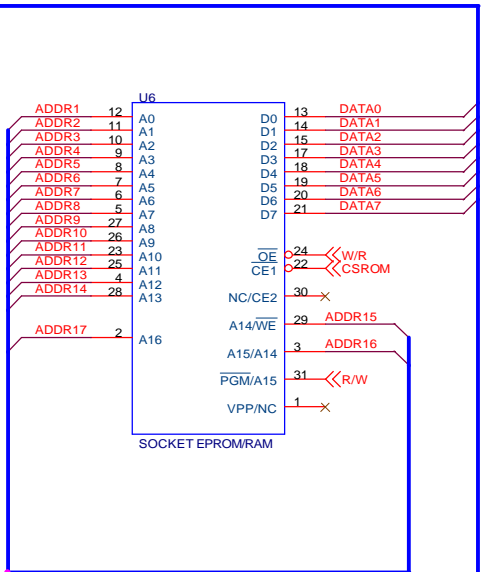
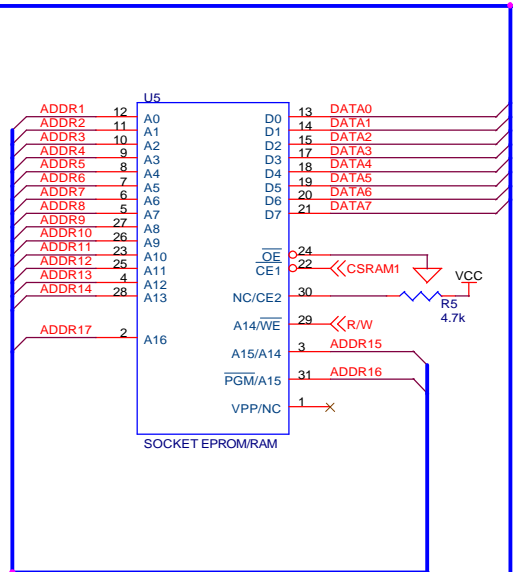
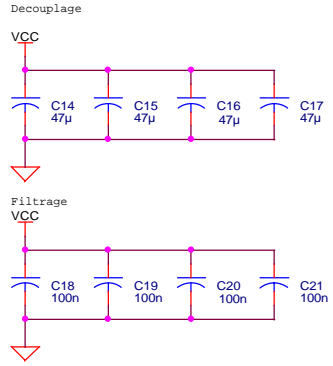


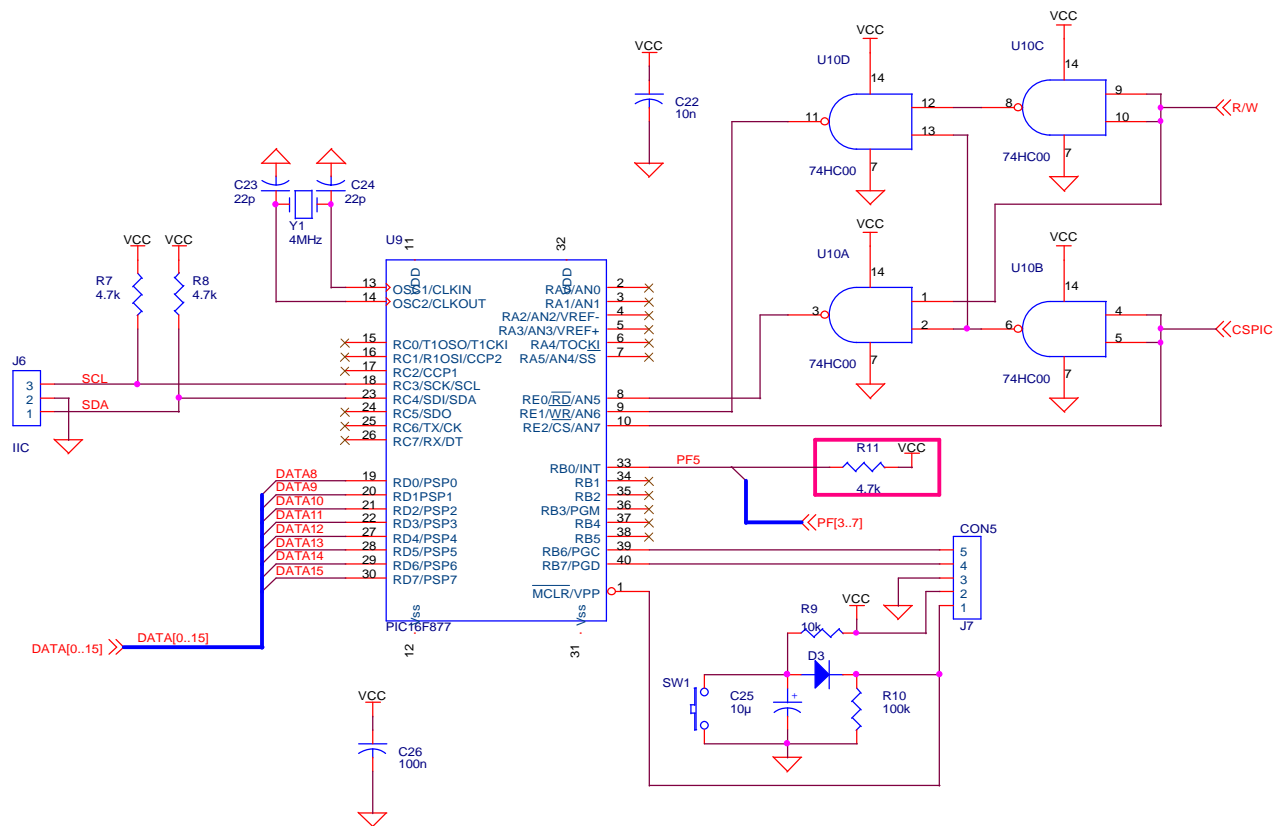
Title		
CARTE PRINCIPALE SNOOKY / processeur		
Size	Document Number	Rev
B	1	0.1
Date:	Tuesday, October 08, 2002	Sheet 1 of 4

DATA[0..15] >>> DATA[0..15]

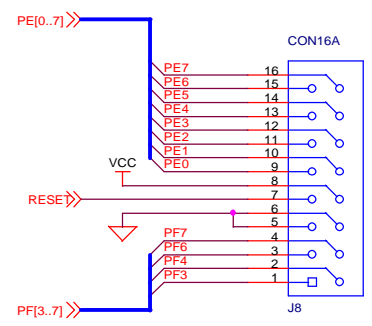
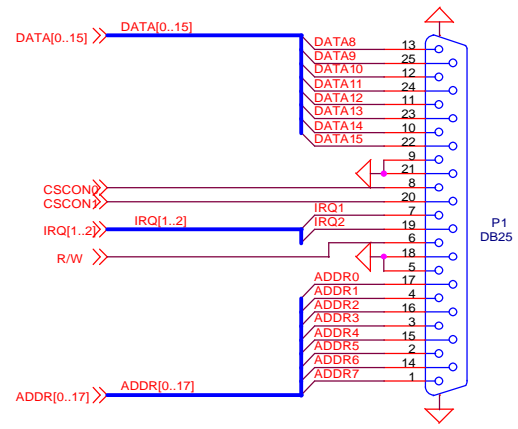
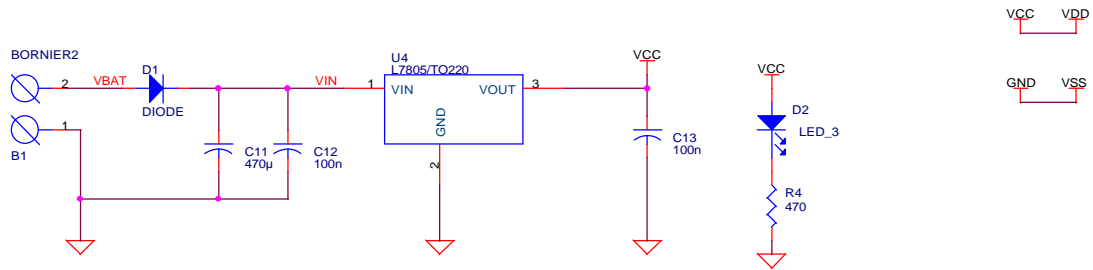


ADDR[0..17] >>> ADDR[0..17]

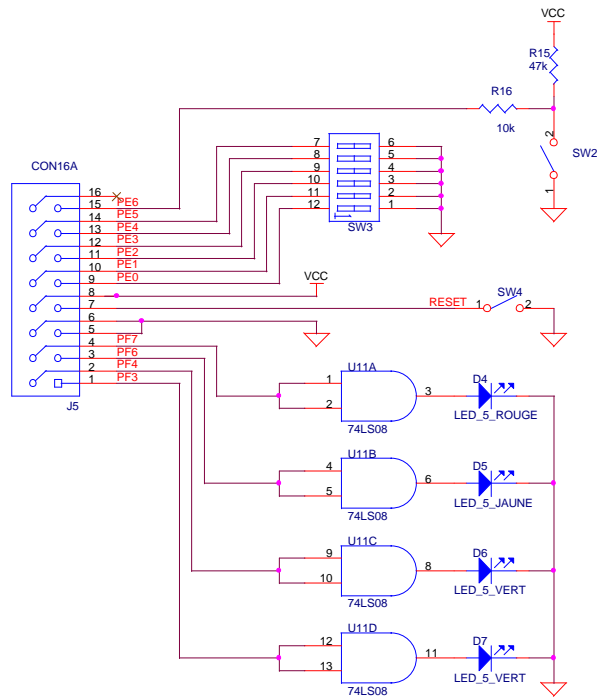
Title		
CARTE PRINCIPALE SNOOKY / MEMOIRES		
Size	Document Number	Rev
B	2	0.1
Date:	Tuesday, October 08, 2002	Sheet 3 of 4



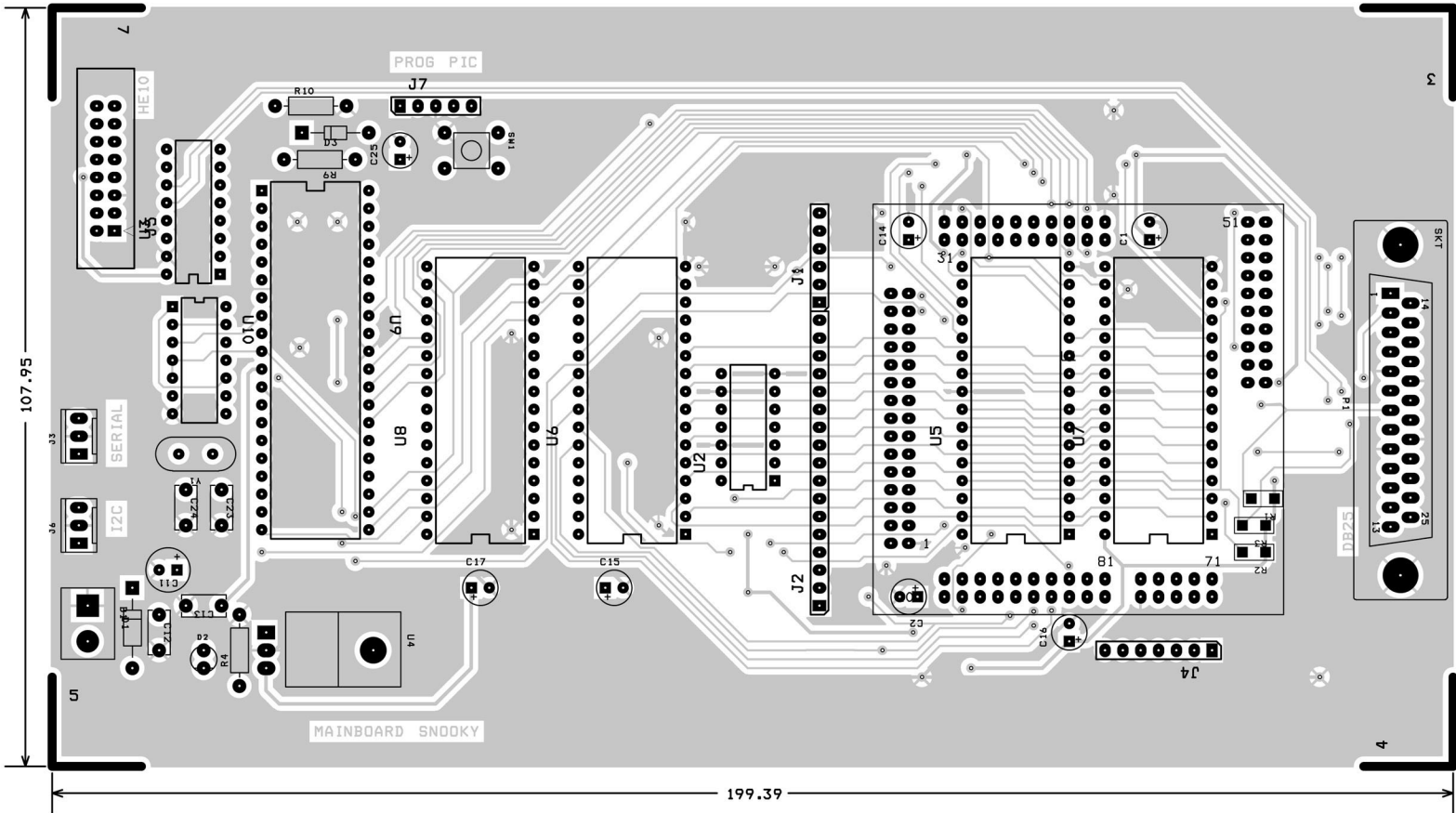
Title		
CARTE PRINCIPALE SNOOKY // Interface I2C		
Size	Document Number	Rev
B	4	
Date:	Tuesday, October 08, 2002	Sheet 4 of 4

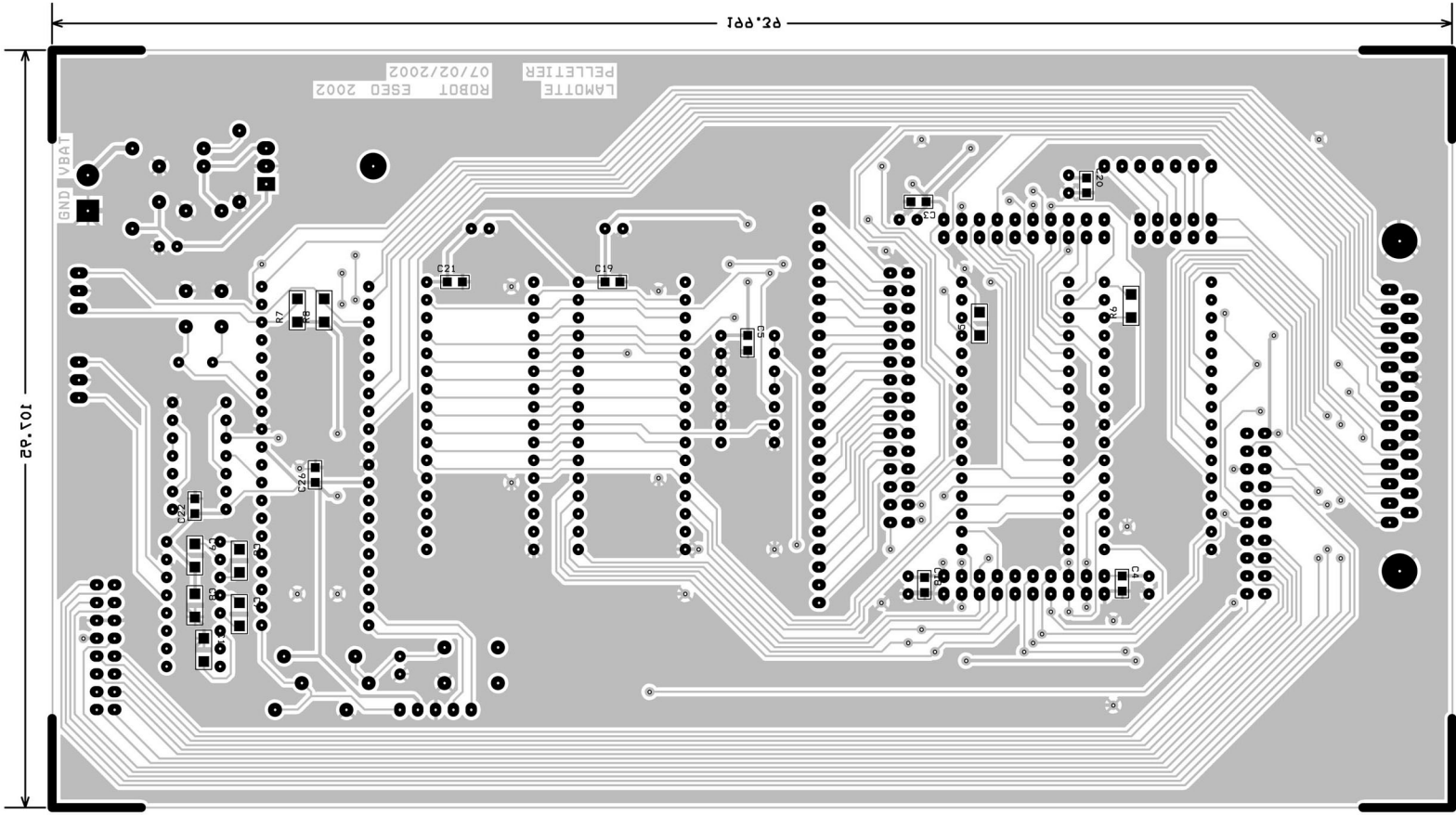


Title		
CARTE PRINCIPALE SNOOKY / Alimentation		
Size	Document Number	Rev
B	3	0.1
Date:	Tuesday, October 08, 2002	Sheet 2 of 4
1		



Title		
EXTENSION CARTE PRINCIPALE SNOOKY		
Size	Document Number	Rev
A3	1	
Date:	Tuesday, October 08, 2002	Sheet 1 of 1





LAMOTTE
PELLETIER
ROBOT ESED 2002
07/02/2002

GND VBA1

101.42

82.81